



## LNB

### C-BAND EXT. REF. 3000X



#### TYPICAL SPECIFICATIONS

<b>Noise temperature</b>	20 K to 30 K depending on model number
<b>L.O. stability</b>	Phase Locked to External Reference
<b>Gain Flatness (-40°C to +60°C)</b>	1dBp-p @ 36 MHz
<b>Gain Variation @ Fixed Freq. (-40°C to +60°C)</b>	6 dBp-p max
<b>Phase noise (SSB)</b>	-70 dBc/Hz at 1 kHz -83 dBc/Hz at 10 kHz -93 dBc/Hz at 100 kHz
<b>Input VSWR</b>	2.3 : 1
<b>Output VSWR</b>	2.0 : 1

<b>Conversion gain</b>	62 dB
<b>Output P1dB</b>	5 dBm
<b>Power requirements</b>	±15 to ±24 V supplied through center conductor of IF cable
<b>Current drain</b>	200 mA
<b>Input Waveguide</b>	CPR229G
<b>Dimensions</b>	180 (L) x 100 (W) x 70 (H) mm (7.1 x 4.0 x 2.8 in)
<b>Weight</b>	425g / 15 oz
<b>Ext. Ref. Frequency</b>	10 MHz (sine-wave) -10 to 0 dBm
<b>Temperature Range</b>	-40°C to +60°C

#### FREQUENCY BANDS AVAILABLE

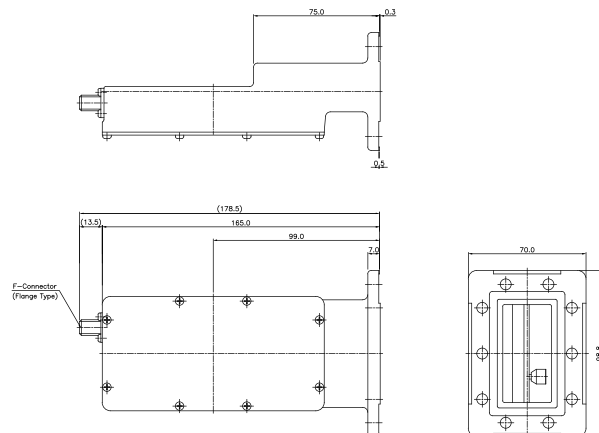
<b>Input frequency (GHz)</b>	3.40 to 4.20
<b>L.O. frequency (GHz)</b>	5.15
<b>Output frequency (MHz)</b>	950 to 1750

#### HOW TO ORDER

### 3020XN

CONNECTOR	F - 75 Ohm N - 50 Ohm
EXTERNAL REFERENCE	
NOISE TEMPERATURE	20 - 20 K 25 - 25 K 30 - 30 K
LNB SERIES #	

#### MECHANICAL DIAGRAM



**BUY NOW**