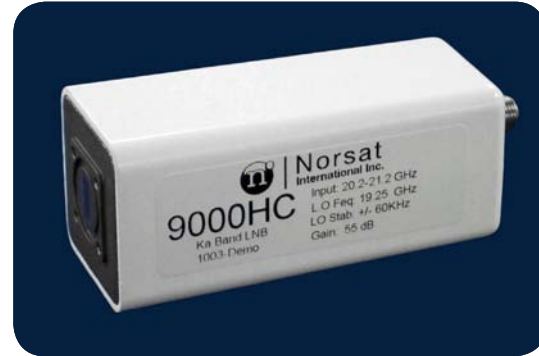




LNB KA-BAND PLL 9000H-2



TYPICAL SPECIFICATIONS

Noise figure	1.3 dB
L.O. stability	±40 kHz (2 ppm)
Phase noise (SSB)	-75 dBc/Hz at 1 kHz -80 dBc/Hz at 10 kHz -100 dBc/Hz at 100 kHz
Input VSWR	2.2 : 1
Output VSWR	2.0 : 1
Gain flatness over 1000 MHz	4.0 dB p-p
Gain variation over temperature @ fixed frequency (-40 to +60°C)	5 dB max

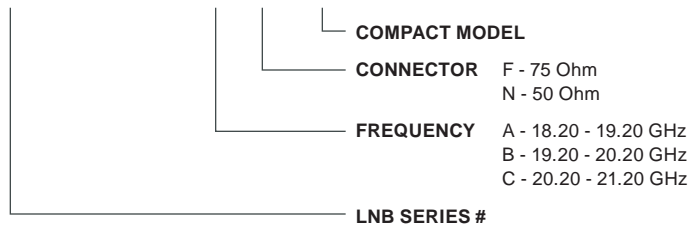
Conversion gain	55 dB
Output P1dB	3 dBm
Power requirements	+15 to +24 V supplied through center conductor of IF cable
Current drain	160 mA
Input Waveguide	WR42
Dimensions	111 (L) x 42 (W) x 42 (H) mm
Weight	350 g
Temperature Range	-40°C to +60°C

FREQUENCY BANDS AVAILABLE

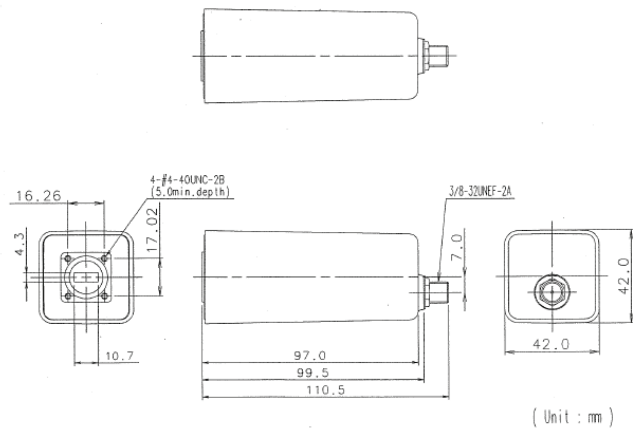
Typical service	9000HA-2	9000HB-2	9000HC-2
Input frequency (GHz)	18.20 to 19.20	19.20 to 20.20	20.20 to 21.20
L.O. frequency (GHz)	17.25	18.25	19.25
Output frequency (MHz)	950 to 1950	950 to 1950	950 to 1950

HOW TO ORDER

9000HCN-2



MECHANICAL DIAGRAM



BUY NOW