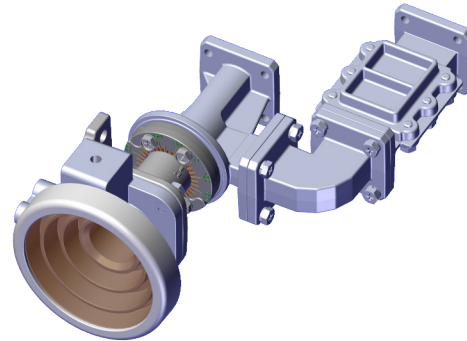


Ku-Band SFL Compact Feed/Cross-Polarized Rx/Tx Feed Assembly



PRODUCT SPECIFICATIONS

- ISO 9001:2008 CERTIFICATE OF REGISTRATION



Ku-Band SFL Compact Feed/Cross-Polarized Rx/Tx Feed Assembly

The Skyware Global Ku-Band cross-polarized feed has been specifically designed for our line of offset reflectors. Electrically tested and matched, this die-cast feed assembly provides maximum performance for demanding commercial applications. This feed is compatible with SFL Class I antennas.

- Broadband performance
- Includes mounting clamp and hardware
- Polarization scale built-in for feed horn.
- All materials comply with EU directive No. 2011/65/EC (RoHS)

SPECIFICATIONS

Model 6116784-15

Rx	
Operating Frequency10.70 - 12.75 GHz
VSWR 1.4:1
Isolation 40 dB
Insertion Loss 0.4 dB
Interface. WR75

Tx	
Operating Frequency13.75 - 14.50 GHz
VSWR 1.2:1
Isolation >90 dB
Insertion Loss 0.1 dB
Interface. WR75
(All specifications typical)	



Satcom solutions for the long haul

REV 10/15-02
Page 1 of 1